

# Power Supply Unit

## Introduction

PSU-10 Power Supply Unit (PSU) can receive mains power ranged 110VAC ~ 230 VAC, 50/60Hz. They are built in with maintenance-free sealed lead acid batteries as standby power. They are able to output 26.5VDC/10A power with the following features:

- Seamless transfer between main and standby power supply.
- Battery re-chargeable with temperature compensation. Charging current is 1A.
- Maximum battery capacity is 15Ah sealed lead acid battery.
- Short protection.
- Indication of AC, DC power, mains fault, battery fault, overheat battery, output fault and charger .
- Sound indication (beep sound) on fault condition, which is silenceable by jump.
- Self-test on audible and visual indications

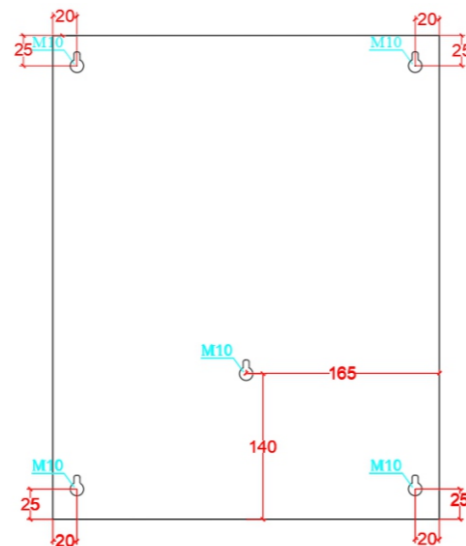
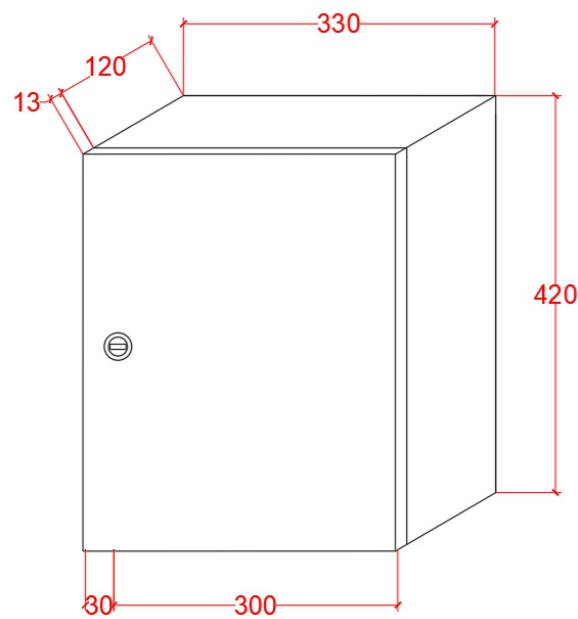


## Technical Specifications

- Mains Power: 110VAC ~ 230VAC, 50/60Hz
- Battery: 24VDC /7.2-7.5-12-15Ah sealed lead battery
- Rated Output Capacity at Mains Power: 26.5VDC, 10A
- Rated Output Capacity at Battery Power: 21VDC ~ 26.5 VDC, 10A
- Temperature: 0°C ~ +50°C
- Relative humidity ≤ 95%, non condensing
- Dimension: 420mm×330mm×130mm



## Construction, Installation and Wiring

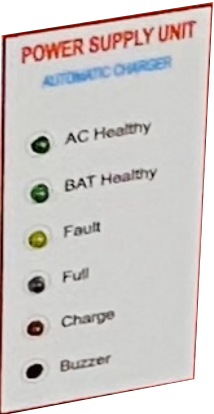


# Power Supply Unit

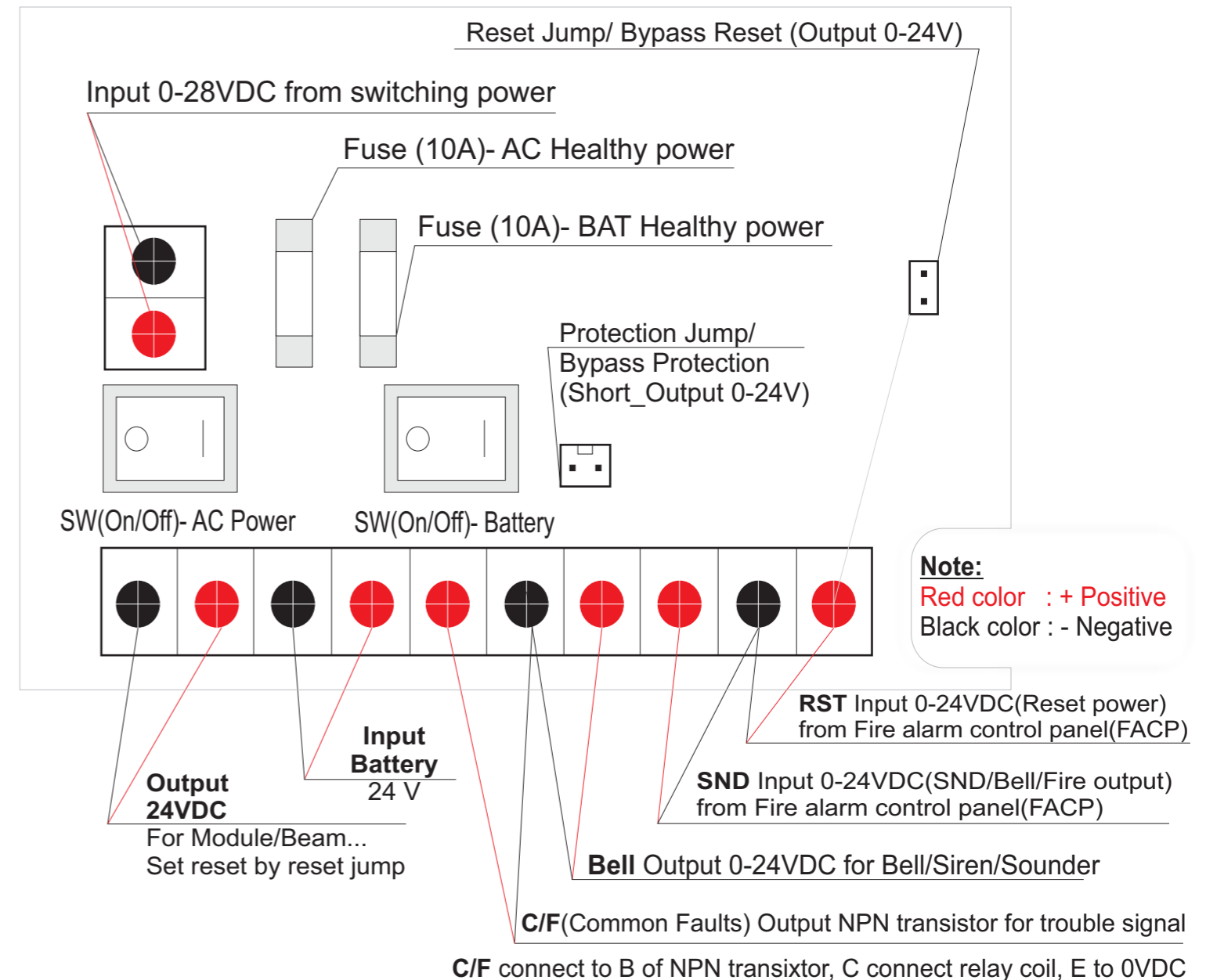
## INSTRUCTION MANUAL

### Indicators :

- AC Healthy** : Green. It illuminates when there is 220VAC
- BAT Healthy** : Green. It illuminates when there is battery
- Fault**: Yellow. It illuminates when there is no output voltage, 220V power failure, battery failure and overheat battery (>60 °C) .
- Full** : Blue. It illuminates when battery is charged full.
- Charge** : Red . It illuminates when battery is charging.
- Buzzer**: Bip sound. When there is any fault. Disable by Jump



### Principle diagram



### Truong Nguyen Engineering Co.,ltd.

Head Office : 66/1E Ngo Chi Quoc Str, Tam Binh Ward, Ho Chi Minh City, Vietnam.  
 Rep Office : VP-202, ST. MORITZ Building- 1014 Pham Van Dong Str, Hiep Binh Ward  
 Ho Chi Minh City, Vietnam.  
 Tel : +84 (28) 22 531 471 | Fax : +84 (28) 22 531 471 | Hotline : 0866 878114  
 www.truongnguyenco.com | info@truongnguyenco.com

- Fire alarm systems
- Fire fighting systems
- Camera and security systems